



Waymore Tools Co.,Ltd.

PNEUMATIC IMPACT WRENCH

Tools for Automotive and Industrial

Professional Team and service are here be ready to serve you.



Provide Easy to Use and Durable Tools.

Waymore Tools Co., Ltd.

Email : daniel@waymoretools.com

Website : <https://www.waymoretools.com>

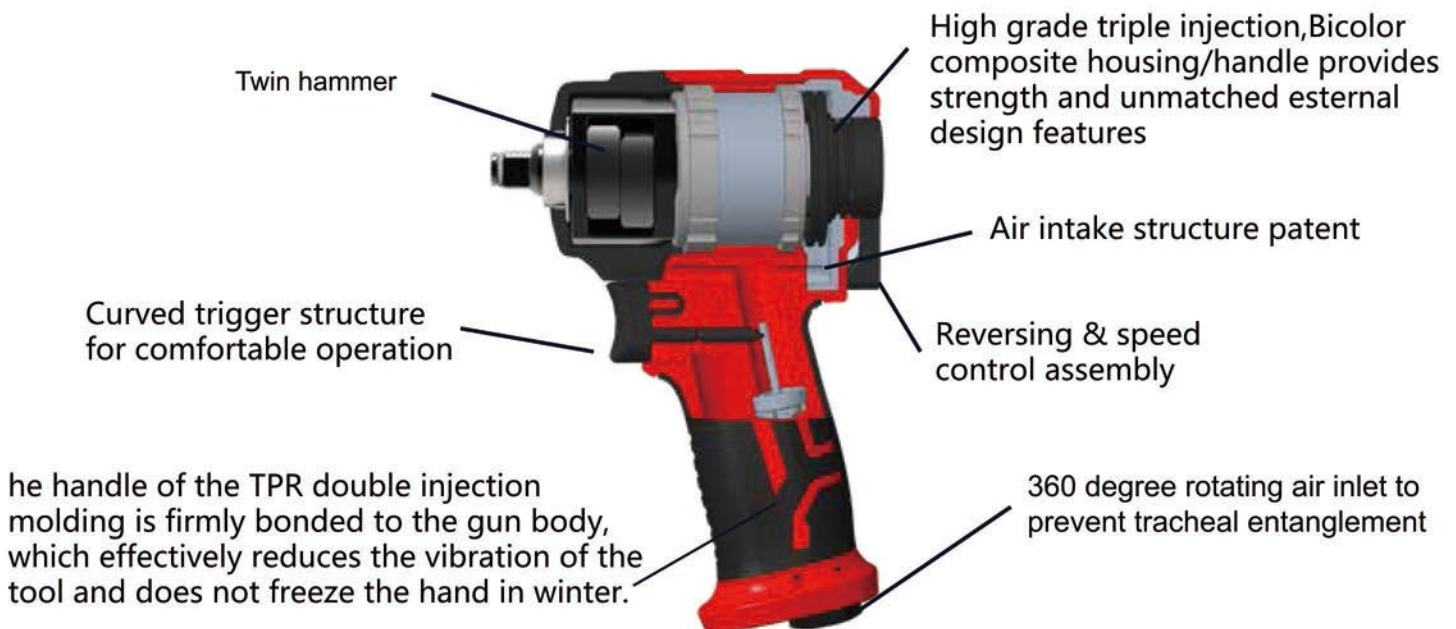


Features

- Max. 745N.m;
- Twin Hammer, good for industrial operation;
- Ergonomic grip design, dynamic and smooth, Equipped with TPR material two-color cover, away from the cold feeling to provide users with unparalleled operating comfort;
- The front and rear protective pads are designed to protect the air impact wrench well.
- 3- Way gears for easy single hand operation with clear change of Forward and Reverse.

技术参数

Model	WME-PT1314	WME-PT1202
Square Drive	1/2"	3/8"
Bolt Capacity	16mm(5/8")	16mm(5/8")
Working pressure	0.63MPa(90psi)	0.63MPa(90psi)
Max Torque	550ft-lbs(745N.m)	550ft-lbs(745 N.m)
Speed	10,000rpm	10,000rpm
Avg. Air consumption	142 l/min(5cfm)	142 l/min(5cfm)
Air Inlet	1/4"Rc	1/4"Rc
Air Hose	3/8"	3/8"
Net Weight	1.37kg(3.02lbs)	1.37kg(3.02lbs)
Overall Length	146mm	145mm





WME-PT1313
Stubby Air Impact Wrench

Technical data

Model	WME-PT1313
Square Drive	1/2"
Bolt Capacity	16mm(5/8")
Working pressure	0.63MPa(90psi)
Max Torque	550ft-lbs(745 N.m)
Speed	10,000rpm
Avg. Air consumption	142 l/min(5cfm)
Air Inlet	1/4" Rc
Air Hose	3/8"
Net Weight	1.28kg(2.82lbs)
Overall Length	132mm

Features

- 745 N.m maximum .
- Patented Ring Hammer, longer Life and stronger.
- Grip has been ergonomically designed to perfectly fit the hand-providing unmatched comfort for the user.
- Molded buffers protect the tool from side impacts
 Push button forward/reverse buttons for fast and convenient change of direction.
- Power management switch provides ultimate control.
- Stable quality and air tightness by innovated design.



WME-PT1313K

1/2" Air Impact wrench Kit

TOOL KIT LIST

- 1pc. 1/2" Air Impact wrench
- 8pcs. 1/2" Drive, CR-V (Chrome Vanadium) Impact Sockets
 Sizes- 14,15,16,17,19,21mm
- 1pc. 1/2 Drive x 5" long extension bar
- 1pc. Quick coupling plug



WME-PT1305 *Styled for perfection and built to last!*

TECHNICAL FEATURES

- 1560N.m maximum torque
- Hard hitting twin hammer mechanism delivers maximum power.
- Grip has been ergonomically designed to perfectly fit the hand-providing unmatched comfort for the user.
- Molded buffers protect the tool from side impacts Push button forward/reverse buttons for fast and convenient change of direction.
- Power management switch provides ultimate control.

Technical data

<i>Model</i>	WME-PT1305
<i>Square Drive</i>	1/2"
<i>Bolt Capacity</i>	18mm(11/16")
<i>Working pressure</i>	0.63MPa(90psi)
<i>Max Torque</i>	1150ft-lbs(1560 N.m)
<i>Speed</i>	8,500rpm
<i>Avg. Air consumption</i>	184 l/min(6.5cfm)
<i>Air Inlet</i>	1/4" Rc
<i>Air Hose</i>	3/8"
<i>Net Weight</i>	2kg(4.4lbs)
<i>Overall Length</i>	179mm





WME-PT1305L 1750N.m

52mm Blade Increased eccentricity provides strong power.

Technical data

Model	WME-PT1305L
Square Drive	1/2"
Bolt Capacity	18mm(11/16")
Working pressure	0.63MPa(90psi)
Max Torque	1300ft-lbs(1750 N.m)
Speed	7,500rpm
Avg. Air consumption	100 l/min(6.5cfm)
Air Inlet	1/4" Rc
Air Hose	3/8"
Net Weight	2.1kg(4.4lbs)
Overall Length	188mm



NEW



WME-PT1305LH 1800N.m

Technical data	
Model	WME-PT1305LH
Square Drive	1/2"
Bolt Capacity	18mm(11/16")
Working pressure	0.63MPa(90psi)
Max Torque	1,340ft-lbs(1,800 N.m)
Speed	7,000rpm
Avg. Air consumption	198 l/min(7cfm)
Air Inlet	1/4" Rc
Air Hose	3/8"
Net Weight	2.3kg(5.07lbs)
Overall Length	197mm

TECHNICAL ADVANTAGES

- 1750 N.m maximum torque .
- Hard hitting twin hammer mechanism delivers maximum power.
- Grip has been ergonomically designed to perfectly fit the hand providing unmatched comfort for the user.
- Molded buffers protect the tool from side impacts Push button forward/reverse buttons for fast and convenient change of direction.
- Power management switch provides ultimate control.
- Super long 52mm blade, powerful motor.



Cylinder from 38mm up to 52mm,
Max. 1750N.m!



Hammer from 14mm up to 17mm,
increased 15% more of impact force.



3/4"

WME-PT1305LHY

1850N.m

Technical data	
Model	WME-PT1305LHY
Square Drive	3/4"
Bolt Capacity	18mm(11/16")
Working pressure	0.63MPa(90psi)
Max Torque	1,365ft-lbs(1,850 N.m)
Speed	7,000rpm
Avg. Air consumption	198 l/min(7cfm)
Air Inlet	1/4"Rc
Air Hose	3/8"
Net Weight	2.35kg(5.18lbs)
Overall Length	201mm



WME-PT1305LHYK

3/4" Air Impact wrench Kit

TOOL KIT LIST

- 1pc. 3/4" Air Impact wrench
- 2pcs. 3/4" Drive, Impact Sockets Sizes- 19,21mm
- 1pc. 3/4 Drive x 6" long extension bar
- 1pc. Quick coupling plug



WME-PT1305K1 1/2" Air Impact wrench Kit

TOOL KIT LIST

- 1pc. 1/2" Air Impact wrench
- 8pcs. 1/2" Drive, CR-V (Chrome Vanadium) Impact Sockets
Sizes- 13,14,15,16,17,19,21,24mm
- 1pc. 1/2 Drive x 5" long extension bar
- 1pc. Quick coupling plug



WME-PT1305K2 1/2" Air Impact wrench Kit

TOOL KIT LIST

- 1pc. 1/2" Air Impact wrench
- 3pcs. 1/2" Drive, CR-V (Chrome Vanadium) Impact Sockets
Sizes 80mm long- 17,19,22mm
- 1pc. Oil pot
- 1pc. Quick coupling plug
- 1pc. Hex key wrench



WME-PT1302K 1/2" Air Impact wrench Kit

TOOL KIT LIST

- 1pc. 1/2" Air Impact wrench
- 10pcs. 1/2" Drive, CR-V (Chrome Vanadium) Impact Sockets
Sizes- 9,10,11,13,14,17,19,22,24,27mm
- 1pc. 1/2 Drive x 5" long extension bar
- 1pc. Quick coupling plug
- 1pc. Oil pot
- 1pc. In-line mini oiler



Technical data

Model	WME-PT1404
Square Drive	3/4";1"
Bolt Capacity	24mm(1")
Working pressure	0.63MPa(90psi)
Max Torque	1500ft-lbs(2000 N.m)
Speed	5,500rpm
Avg.Air consumption	255 l/min(9cfm)
Air Inlet	3/8";1/2"Rc
Air Hose	1/2"
Net Weight	3.85kg(8.5lbs)
Overall Length	228mm

WME-PT1404

Features

- 2000N.m maximum torque
- Hard hitting twin hammer mechanism delivers maximum power.
- Grip has been ergonomically designed to perfectly fit the hand-providing unmatched comfort for the user.
- Molded buffers protect the tool from side impacts Push button forward/reverse buttons for fast and convenient change of direction.
- Power management switch provides ultimate control.



WME-PT1404K 3/4" Air Impact wrench Kit

TOOL KIT LIST

- 1pc. Air Impact wrench
- 2pcs. 3/4" Drive, Impact Sockets Sizes- 32,33mm
- 1pc. Quick coupling plug





Technical data		
Model	WME-PT1306	WME-PT1306Y
Square Drive	1/2"	3/4"
Bolt Capacity	18mm(11/16")	20mm(3/4")
Working pressure	0.63MPa(90psi)	0.63MPa(90psi)
Max Torque	1300ft-lbs(1750 N.m)	1300ft-lbs(1750 N.m)
Speed	6,500rpm	6,500rpm
Avg.Air consumption	200 l/min(7cfm)	200 l/min(7cfm)
Air Inlet	1/4"Rc	1/4"Rc
Air Hose	3/8"	3/8"
Net Weight	2.16kg(4.7lbs)	2.25kg(4.96lbs)
Overall Length	180mm	186mm

WME-PT1306 Strong Torque, Full of Power

COMPOSITE IMPACT WRENCH

WME-PT1306 is the most compact, ergonomic, Strong torque and easy-to-use impact wrench in its class.

With this Professional tools you get:

- One-hand reversing structure, easy to adjust forward and reverse with one hand.
- 52mm total motor length with super torque.
- Special engineering composite material, light weight.

Due to its one-handed reversing patent, the operator can quickly complete the tightening and disassembly of bolts. At the same time, it has super strong torque and long service life.

The WME-PT1306 is the lightest, most compact and most torque professional 1/2" impact wrench on the market.

TECHNICAL FEATURES





**Only 99mm of Total Length
Max. 680N.m**

Technical data

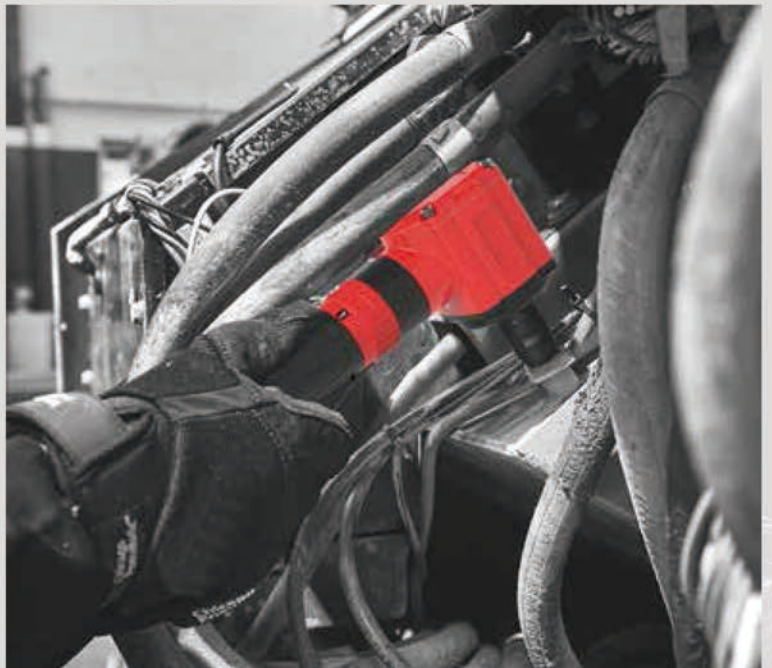
Model	WME-PT1320
Square Drive	1/2"
Bolt Capacity	16mm(5/8")
Working pressure	0.63MPa(90psi)
Max Torque	500ft-lbs(680 N.m)
Speed	7,500rpm
Avg.Air consumption	142 l/min(5cfm)
Air Inlet	1/4"Rc
Air Hose	3/8"
Net Weight	1.7kg(3.75lbs)
Overall Length	99mm

WME-PT1320 Straight Angle Air Impact Wrench

Offering smooth operation and an extended handle, the Impact Wrench tool is a versatile tool for nearly all repair and maintenance applications, especially in tight spaces. This impact wrench features a ring hammer strike assembly, an efficient air motor, and a composite handle for increased performance and strength, while keeping weight in mind.

Features

- Jumbo Ring Hammer;
- Alloy steel motor;
- Composite handle for a comfortable grip;
- 360° exhaust design;
- Small size, super torque;
- Special steel, high durability.



Composite 1" Air Impact Wrench

Max. **4000N.m** with only **12.5KGS**



WME-PT1580

Features

- Maximum loosening torque: 4000 Nm,
- Optimized operation on both sides for left-handed and right-handed users
- One-hand reversing switch
- Extremely powerful tool
- Optimized feel
- Exhaust air is directed downwards through the handle
- Reduce vibration
- Easy to operate
- Long shaft for optimal accessibility of the wheel bolts to the air connection inlet.

Technical data

Model	WME-PT1580
Square Drive	1"
Bolt Capacity	40mm(1-9/16")
Working pressure	0.63MPa(90psi)
Max Torque	2950ft-lbs(4000 N.m)
Speed	3800rpm
Avg. Air consumption	368 l/min(13cfm)
Air Inlet	1/2"Rc
Air Hose	1/2"
Net Weight	12.5kg(27.6lbs)
Overall Length	585mm



WME-PT1502



- Applicable to Tire repair of Large and medium -sized truck, Works of Cabin of ship, Large -sized machinery maintenance.
- Single hammer without pin impact structure, special low carbon alloy steel material, carburized heat treatment, long service life.
- The porous exhaust design greatly reduces the working noise.
- 4 ways of Forward/Reverse at Rear, suitable for different torque requirements, with simple and convenient operation.

Technical data

Model	WME-PT1502
Square Drive	1"
Bolt Capacity	30 mm(1-1/4")
Working pressure	0.63 MPa(90 psi)
Max Torque	2,000 ft-lbs(2,700 N.m)
Speed	4,000 rpm
Avg. Air consumption	396 l/min(14 cfm)
Air Inlet	1/2" Rc
Air Hose	1/2"
Net Weight	14 kg(30.9 lbs)

WME-PT1503A



- Applicable to Tire repair of Large and medium -sized truck, Works of Cabin of ship, Large -sized machinery maintenance.
- Single hammer without pin impact structure, special low carbon alloy steel material, carburized heat treatment, long service life.
- The porous exhaust design greatly reduces the working noise.
- 4 ways of Forward/Reverse at Rear, suitable for different torque requirements, with simple and convenient operation.

Technical data

Model	WME-PT1503A
Square Drive	1"
Bolt Capacity	40 mm(1-9/16")
Working pressure	0.63 MPa(90 psi)
Max Torque	2,800 ft-lbs(3,800 N.m)
Speed	3,600 rpm
Avg. Air consumption	396 l/min(14 cfm)
Air Inlet	1/2" Rc
Air Hose	1/2"
Net Weight	16.6 kg(36.6 lbs)

WME-PT1502K



Technical data

Model	WME-PT1502K
Square Drive	1"
Bolt Capacity	30 mm(1-1/4")
Working pressure	0.63 MPa(90 psi)
Max Torque	2,000 ft-lbs(2,700 N.m)
Speed	4,000 rpm
Avg. Air consumption	396 l/min(14 cfm)
Air Inlet	1/2" Rc
Air Hose	1/2"
Net Weight	14 kg(30.9 lbs)

WME-PT1503K



Technical data

Model	WME-PT1503K
Square Drive	1"
Bolt Capacity	40 mm(1-9/16")
Working pressure	0.63 MPa(90 psi)
Max Torque	2,800 ft-lbs(3,800 N.m)
Speed	3,600 rpm
Avg. Air consumption	396 l/min(14 cfm)
Air Inlet	1/2" Rc
Air Hose	1/2"
Net Weight	16.6 kg(36.6 lbs)

WME-PT1504



- The double hammer mechanism of special alloy steel makes a long life and a strong torque.
- It is suitable for the tightening works of bolts with large torque for repair factory of Light and Medium Trucks.
- 4 ways of Forward/Reverse at Rear, suitable for different torque requirements, with simple and convenient operation.
- 1" and 3/4" Square Drive for option.

Technical data

Model	WME-PT1504
Square Drive	3/4", 1"
Bolt Capacity	27 mm(1-1/16")
Working pressure	0.63 MPa(90 psi)
Max Torque	1,700 ft-lbs(2,300 N.m)
Speed	5,500 rpm
Avg. Air consumption	340 l/min(12 cfm)
Air Inlet	1/2" Rc
Air Hose	1/2"
Net Weight	7.35 kg(16.2 lbs)

WME-PT1503



- Applicable to Tire repair of Large and medium -sized truck, Works of Cabin of ship, Large -sized machinery maintenance.
- Single hammer without pin impact structure, special low carbon alloy steel material, carburized heat treatment, long service life.
- The porous exhaust design greatly reduces the working noise.
- 4 ways of Forward/Reverse at Rear, suitable for different torque requirements, with simple and convenient operation.

Technical data

Model	WME-PT1503
Square Drive	1"
Bolt Capacity	40 mm(1-9/16")
Working pressure	0.63 MPa(90 psi)
Max Torque	2,800 ft-lbs(3,800 N.m)
Speed	3,600 rpm
Avg. Air consumption	396 l/min(14 cfm)
Air Inlet	1/2" Rc
Air Hose	1/2"
Net Weight	16.6 kg(36.6 lbs)

WME-PT1518



- Applicable to Tire repair of Large and medium -sized truck, Large -sized machinery maintenance.
- Single hammer without pin impact structure, special low carbon alloy steel material, carburized heat treatment, long service life.
- 4 ways of Forward/Reverse at Rear, suitable for different torque requirements, with simple and convenient operation.

Technical data

Model	WME-PT1518
Square Drive	1"
Bolt Capacity	45mm(1-3/4")
Working pressure	0.63MPa(90psi)
Max Torque	3,200 ft-lbs(4,350 N.m)
Speed	3,200 rpm
Avg. Air consumption	410 l/min(14.5 cfm)
Air Inlet	1/2" Rc
Air Hose	1/2"
Net Weight	18.9 kg(41.7 lbs)

WME-PT1505



- Applicable to Tire repair of Large and medium -sized truck, Large -sized machinery maintenance.
- Single hammer without pin impact structure, special low carbon alloy steel material, carburized heat treatment, long service life.
- 4 ways of Forward/Reverse at Rear, suitable for different torque requirements, with simple and convenient operation.

Technical data

Model	WME-PT1505
Square Drive	1"
Bolt Capacity	48 mm(1-7/8")
Working pressure	0.63 MPa(90 psi)
Max Torque	4,280 ft-lbs(5,800 N.m)
Speed	3,100 rpm
Avg. Air consumption	425 l/min(15 cfm)
Air Inlet	1/2" Rc
Air Hose	1/2"
Net Weight	19 kg(41.9 lbs)

WME-PT1506



- Applicable to Tire repair of Large and medium -sized truck, Large -sized machinery maintenance.
- Single hammer without pin impact structure, special low carbon alloy steel material, carburized heat treatment, long service life.
- 4 ways of Forward/Reverse at Rear, suitable for different torque requirements, with simple and convenient operation.

Technical data

Model	WME-PT1506
Square Drive	1"
Bolt Capacity	50 mm(1-15/16")
Working pressure	0.63 MPa(90 psi)
Max Torque	5,000 ft-lbs(6,800 N.m)
Speed	3,000 rpm
Avg. Air consumption	410 l/min(16 cfm)
Air Inlet	1/2" Rc
Air Hose	1/2"
Net Weight	20 kg(44.1 lbs)

Waymore Tools Co.,Ltd.

ONE STOP SERVICE FOR POWER TOOLS



Waymore Tools Co., Ltd.

Tel : 86-137 7763 7758

Whatsapp : 86-137 7763 7758

Email : daniel@waymoretools.com

Website : <https://www.waymoretools.com>

If necessary, you can contact us anytime.

We will serve you wholeheartedly.